

Mod. A995 INSERTION/EXTRACTION TOOL

Mod. A996 52 PIN HV CABLE CONNECTOR

The CAEN Mod. A996 is the 52 Pin HV cable connector designed to be used with the CAEN Mod. A1733B, A1833B and A1932A HV boards. The connector can be fitted with two "interlock" pin contacts which switch off the power supply before the unmating of the standard contacts, providing then a safety handling. Both "Interlock" and standard contacts are rear release / rear removable crimp contacts.

The electrical continuity between the plug and the receptacle is provided by the pin guides of the rectangular connectors or the push-pull mechanism of the circular connector.

The Mod. A996 requires 52 contacts Radiall 691804300 [SCEM 09.41.33.830.7] type. The connector must be assembled by using the CAEN Mod. A995 Insertion/Extraction Tool, which allows to either insert or remove the pin contacts from the connector. The A995 has one "half-tube" needle on one side for contact insertion and one "tube" needle on the other side for contact extraction. Refer to the HV boards manuals for the connector pin assignment.

Table 1 – Technical features

Mod. A996 insulator	Thermoplastic UL94V0, halogen free. Tensile strenght reduction does not exceed 6% after a cumulative exposition to $5 \cdot 10^8$ Gy at a rate of 1 to 2 Gy/h
Mod. A996 backshell/shroud	Aluminium alloy nickel plated
Mod. A996 locking device	Stainless steel and nickel plated copper alloy
Contacts	Copper alloy gold over nickel plated
Breakdown voltage	12.5 kV dc

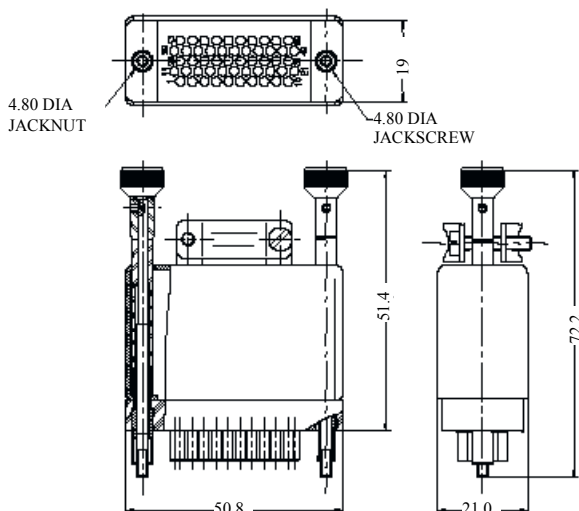


Fig. 1 – Mod. A996 52 Pin Connector

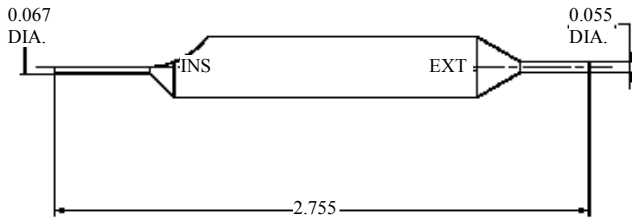


Fig. 2 – Mod. A995 Insertion/Extraction Tool

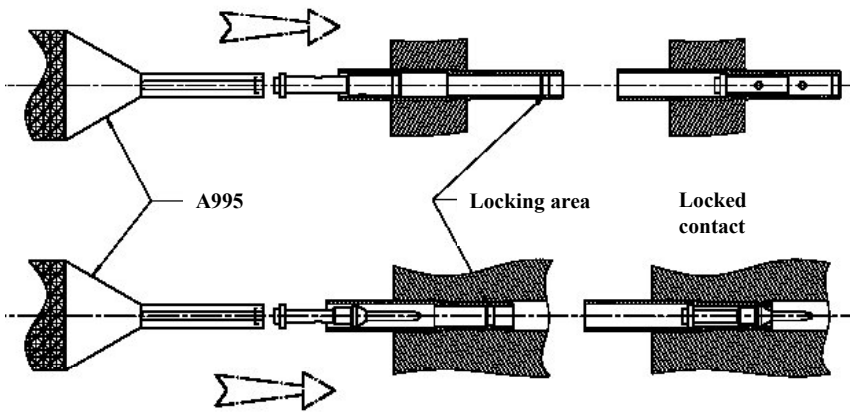
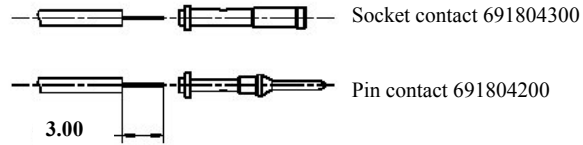


Fig.3 – Contact insertion details

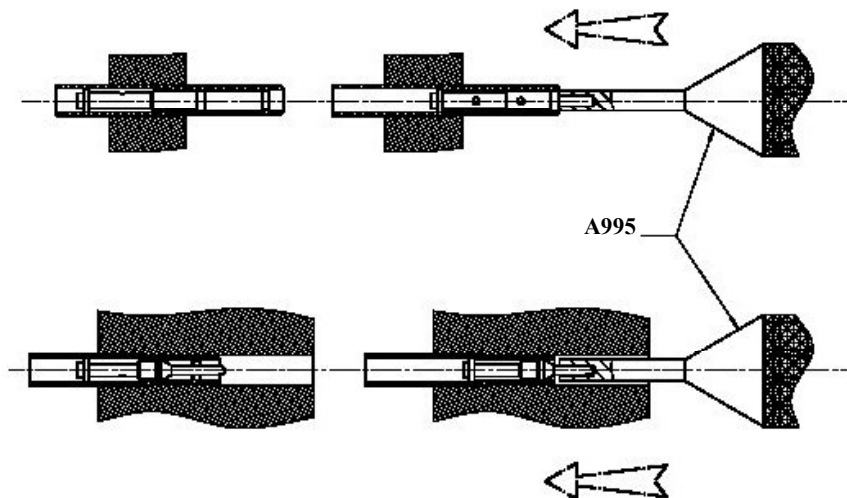


Fig.4 Contact extraction details